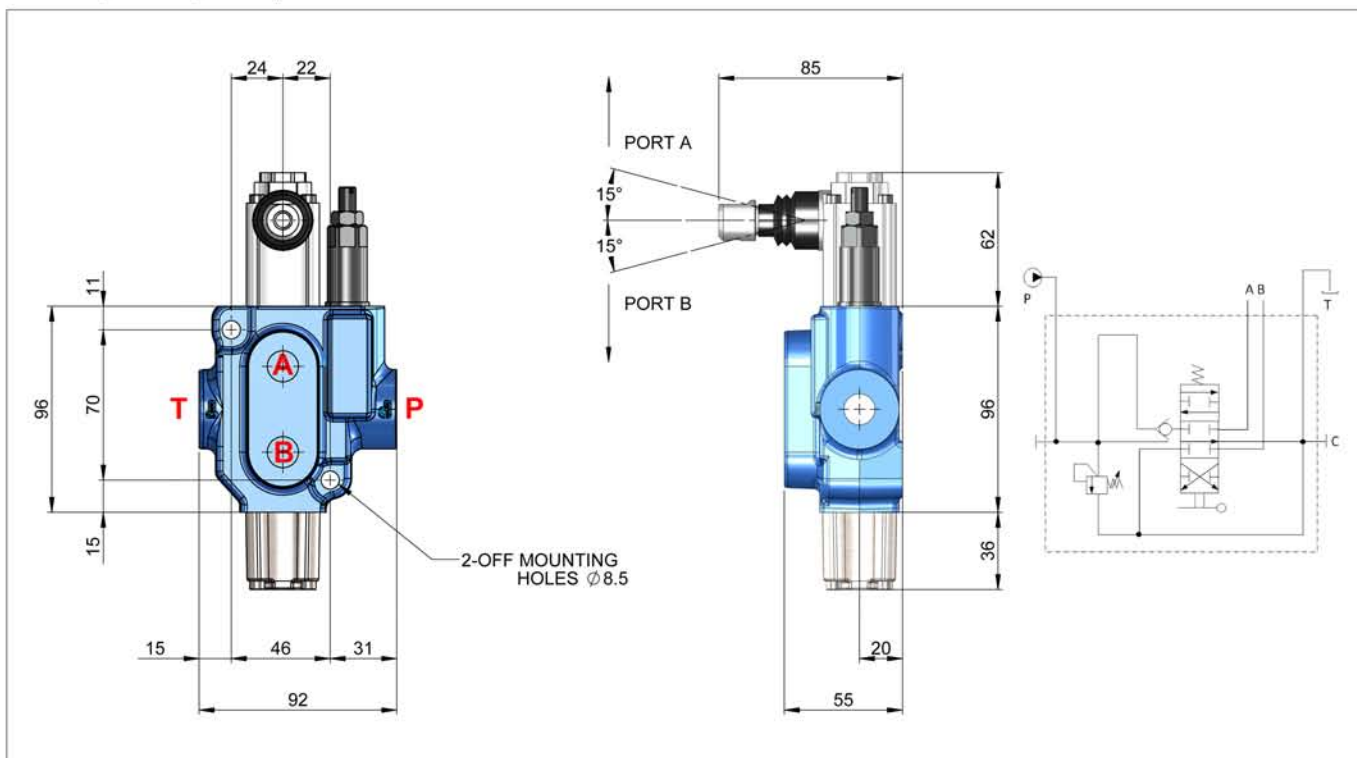


MONOBLOCK VALVES

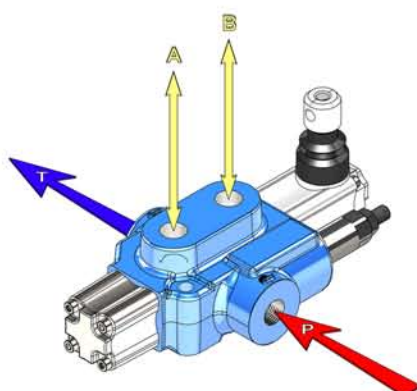
MB-2/1S-3/18L/G-3



Ports	Inlet P	A and B	Outlet T
BSP	G 3/8	G 3/8	G 3/8

Control Options

- YLMB24061: 3 position detent kit
- YLMB24803: Micro switch kit
- YLMB24080: Pneumatic actuator



Nominal Flow Rate		45 L/min
Operating Pressure (Max)	Parallel or tandem circuit	250 bar
Back Pressure (Max)	On outlet port T	25 bar
Fluid Temp Range	With NBR (BUNA-N) seals	From -20°C to 80°C
Viscosity	Min	12 cst
	Max	400 cst
Ambient Temp Range		From -40°C to 60°C